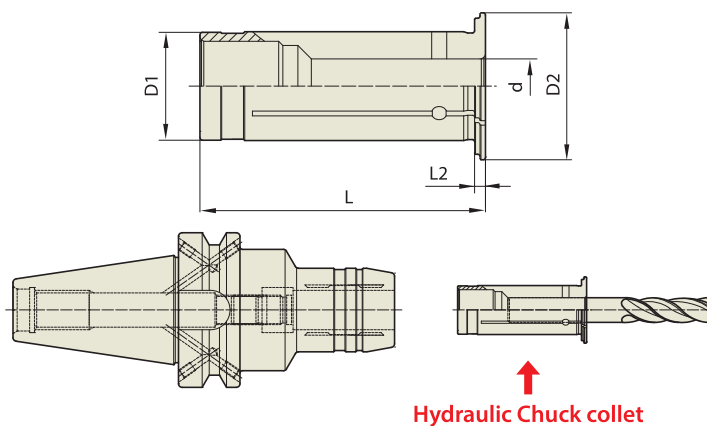




HYDRAULIC CHUCK COLLET (Reduction Sleeve : Open Type)

HYDRAULIK SPANNFUTTER SPANNZANGE
 MANDRIN HYDRAULIQUE PINCE DE SERRAGE
 MANDRINI IDRAULICI PINZA DI SERRAGGIO
 PORTAHERRAMIENTAS HIDRAULICO PINZA PORTAPIEZAS



MODEL No.		EDP No.	d	D1	D2	L	L2	
HK12	3	P2569022	3	12	19	47	2	
	4	P2569023	4	12	19	47	2	
	5	P2569024	5	12	19	47	2	
	6	P2569025	6	12	19	47	2	
	7	P2771001	7	12	19	47	2	
	8	P2569026	8	12	19	47	2	
	HK20	3	P2569001	3	20	27	52.5	2
		4	P2569002	4	20	27	52.5	2
5		P2569003	5	20	27	52.5	2	
6		P2569004	6	20	27	52.5	2	
7		P2771002	7	20	27	52.5	2	
8		P2569005	8	20	27	52.5	2	
9		P2771003	9	20	27	52.5	2	
10		P2569006	10	20	27	52.5	2	
11		P2771004	11	20	27	52.5	2	
12		P2569007	12	20	27	52.5	2	
13		P2771005	13	20	27	52.5	2	
14		P2569008	14	20	27	52.5	2	
15		P2771006	15	20	27	52.5	2	
16		P2569009	16	20	27	52.5	2	
HK32		6	P2569010	6	32	39	63.5	3
		8	P2569011	8	32	39	63.5	3
	10	P2569012	10	32	39	63.5	3	
	12	P2569013	12	32	39	63.5	3	
	14	P2569014	14	32	39	63.5	3	
	16	P2569015	16	32	39	63.5	3	
	18	P2569016	18	32	39	63.5	3	
	20	P2569017	20	32	39	63.5	3	
	25	P2569018	25	32	39	63.5	3	

- ▶ Inch type products are available.
- ▶ Other special sizes of Hydraulic Chuck collets could be produced and supplied.

Feature

HK Hydraulic Chuck collet (reduction sleeve) is cut into trisection by high precision cutting to guarantee precise I.D and strong clamping power.

Chucking Method

Please assemble cutting tool with collet firstly, and then insert collet into Hydraulic Chuck.